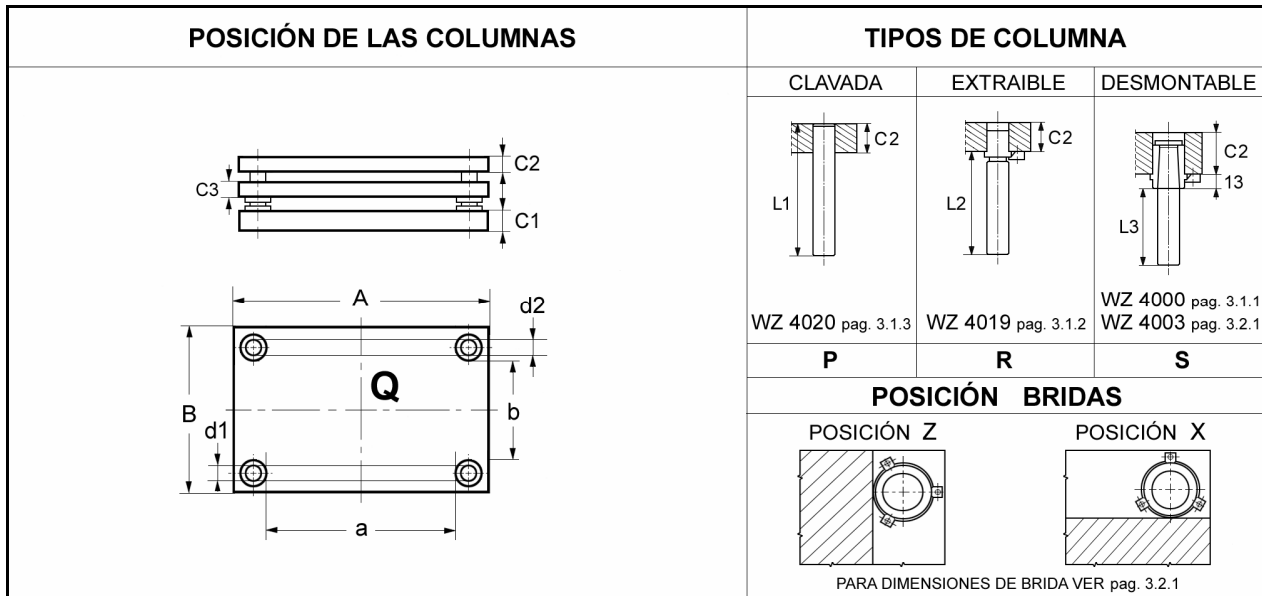


PORTAMATRICES 3 PLACAS 4 COLUMNAS - TIPO Q

| TIPOS DE CASQUILLO PARA ESTOS MONTAJES | | |
|--|--|--|
| | CASQUILLOS DE ACERO | |
| | C3 - WZ 4030 Pag. 3.2.2 C1 - WZ 4030 Pag. 3.2.2 | C3 - WZ 4030 Pag. 3.2.2 C1 - WZ 4039 Pag. 3.2.2 |
| | 61 | 62 |
| | CASQUILLOS DE BRONCE LAMINA | |
| | C3 - WZ 4031 Pag. 3.2.3 C1 - WZ 4031 Pag. 3.2.3 | C3 - WZ 4031 Pag. 3.2.3 C1 - WZ 4032 Pag. 3.2.3 |
| | 71 | 72 |
| CASQUILLOS DE BRONCE METER | | |
| C3 - WZ 6031 Pag. 3.2.4 C1 - WZ 6031 Pag. 3.2.4 | C3 - WZ 6031 Pag. 3.2.4 C1 - WZ 6032 Pag. 3.2.4 | |
| 81 | 82 | |

| MONTAJE | | | DIMENSIONES | | | | | | | | | SUPERFICIE ÚTIL | | | | | | PESO Kg. | | | |
|---------|----------|----------|-------------|--------------------|---------|----|----|----------|-----|-----|-----|-----------------|-------|-------|-------|-------|-------|----------|-------|-------|-------|
| PR | PR | PRS | CODIGO | PL. A x B | GRUESOS | | | COLUMNAS | | | PR | | | PRS | | | | | | | |
| 61 | 61 62 | 61 62 | | | C1 | C2 | C3 | d1/d2 | L1 | L2 | L3 | a x B | b x A | c x A | a x B | b x A | c x A | | a x B | b x A | c x A |
| 71 | 71 72 | 71 72 | | | 61 | 62 | 71 | 72 | 81 | 82 | | | | | | | | | | | |
| 81 | 81 82 | 81 82 | | | | | | | | | | | | | | | | | | | |
| | | | 601 | 125 | 28 | 23 | 18 | 18/19 | 140 | 120 | - | | | | 27 | 27 | | | | 10 | |
| | | | 602 | x | 38 | 28 | 18 | 18/19 | 160 | 130 | - | | | | x | x | | | | 12 | |
| | | | 603 | 125 | 38 | 38 | 18 | 18/19 | 170 | 130 | 120 | | | | 125 | 125 | | | | 13 | |
| | | | 604 | 160 | 28 | 23 | 18 | 18/19 | 140 | 120 | - | | | | 62 | 27 | | | | 12 | |
| | | | 605 | x | 38 | 28 | 18 | 18/19 | 160 | 130 | - | | | | x | x | | | | 14 | |
| | | | 606 | 125 | 38 | 38 | 18 | 18/19 | 170 | 130 | 120 | | | | 125 | 160 | | | | 16 | |
| | | | 607 | 160 | 28 | 23 | 18 | 18/19 | 140 | 120 | - | | | | 62 | 62 | | | | 15 | |
| | | | 608 | x | 38 | 28 | 18 | 18/19 | 160 | 130 | - | | | | x | x | | | | 18 | |
| | | | 609 | 160 | 38 | 38 | 18 | 18/19 | 170 | 130 | 120 | | | | 160 | 160 | | | | 20 | |
| | | | 610 | 200 | 28 | 23 | 18 | 18/19 | 140 | 120 | - | | | | 102 | 27 | | | | 15 | |
| | | | 611 | x | 38 | 28 | 18 | 18/19 | 160 | 130 | - | | | | x | x | | | | 18 | |
| | | | 612 | 125 | 38 | 38 | 18 | 18/19 | 170 | 130 | 120 | | | | 125 | 200 | | | | 20 | |
| | | | 613 | 200 | 28 | 23 | 18 | 18/19 | 140 | 120 | - | | | | 102 | 62 | | | | 19 | |
| | | | 614 | x | 38 | 28 | 18 | 18/19 | 160 | 130 | - | | | | x | x | | | | 23 | |
| | | | 615 | 160 | 38 | 38 | 18 | 18/19 | 170 | 130 | 120 | | | | 160 | 200 | | | | 25 | |
| | | | 616 | 200 | 28 | 23 | 18 | 18/19 | 140 | 120 | - | | | | 102 | 102 | | | | 23 | |
| | | | 617 | x | 38 | 28 | 18 | 18/19 | 160 | 130 | - | | | | x | x | | | | 28 | |
| | | | 618 | 200 | 38 | 38 | 18 | 18/19 | 170 | 130 | 120 | | | | 200 | 200 | | | | 31 | |
| | | | 619 | 250 | 28 | 23 | 18 | 18/19 | 140 | 120 | - | | | | 152 | 27 | | | | 18 | |
| | | | 620 | x | 38 | 28 | 18 | 18/19 | 160 | 130 | - | | | | x | x | | | | 22 | |
| | | | 621 | 125 | 38 | 38 | 18 | 18/19 | 170 | 130 | 120 | | | | 125 | 250 | | | | 25 | |
| | | | 622 | 250 | 28 | 23 | 18 | 18/19 | 140 | 120 | - | | | | 152 | 62 | | | | 23 | |
| | | | 623 | x | 38 | 28 | 18 | 18/19 | 160 | 130 | - | | | | x | X | | | | 28 | |
| | | | 624 | 160 | 38 | 38 | 18 | 18/19 | 170 | 130 | 120 | | | | 160 | 250 | | | | 31 | |
| | | | 625 | 250 | 33 | 28 | 23 | 24/25 | 160 | 130 | - | | | | 132 | 82 | | | | 35 | |
| | | | 626 | x | 48 | 38 | 23 | 24/25 | 190 | 150 | - | | | | x | X | | | | 45 | |
| | | | 627 | 200 | 48 | 48 | 23 | 24/25 | 200 | 150 | 140 | | | | 200 | 250 | | | | 49 | |
| | | | 628 | 250 | 33 | 28 | 23 | 24/25 | 160 | 130 | - | | | | 132 | 132 | | | | 43 | |
| | | | 629 | x | 48 | 38 | 23 | 24/25 | 190 | 150 | - | | | | x | x | | | | 55 | |
| | | | 630 | 250 | 48 | 48 | 23 | 24/25 | 200 | 150 | 140 | | | | 250 | 250 | | | | 60 | |

PORTAMATRICES 3 PLACAS 4 COLUMNAS - TIPO Q



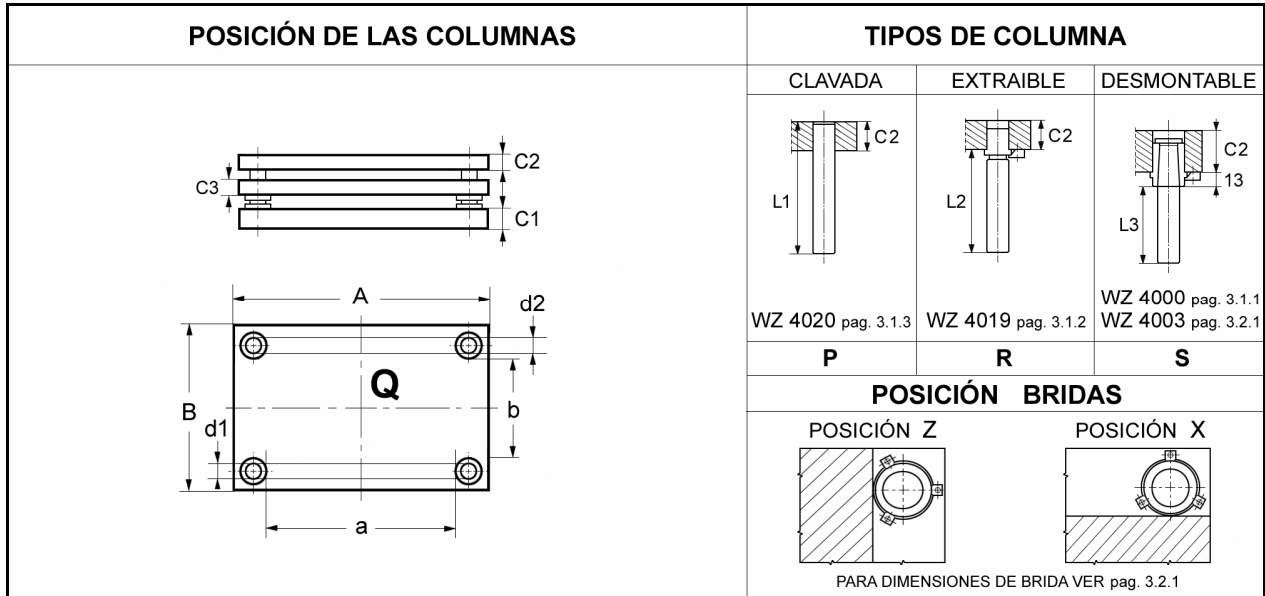
| MONTAJE | | | DIMENSIONES | | | | | | | | | SUPERFICIE ÚTIL | | | | | | PESO Kg. | | | | | | | | | |
|---------|----------|----------|-------------|-----|-------------|----|----|----------|-------|-----|-----|-----------------|-------|-------|-------|-------|-------|----------|-------|-------|-------|-------|----|----|----|----|----|
| PR | PR | PRS | CODIGO | PL. | GRUESOS | | | COLUMNAS | | | PR | | | PRS | | | | | | | | | | | | | |
| 61 | 61 62 | 61 62 | | | A x B | C1 | C2 | C3 | d1/d2 | L1 | L2 | L3 | a x B | b x A | c x A | a x B | b x A | | c x A | a x B | b x A | c x A | | | | | |
| 71 | 71 72 | 71 72 | | | | | | | | | | | | | | | | | | | | | 61 | 62 | 71 | 72 | 81 |
| 81 | 81 82 | 81 82 | | | | | | | | | | | | | | | | | | | | | | | | | |
| | | | 631 | 300 | 33 | 28 | | 24/25 | 160 | 130 | - | | | | 182 | 42 | | | | 34 | | | | | | | |
| | | | 632 | x | 48 | 38 | 23 | 24/25 | 190 | 150 | - | | | | x | x | | | | 43 | | | | | | | |
| | | | 633 | 160 | 48 | 48 | | | 200 | 150 | 140 | | | | 160 | 300 | | | | 47 | | | | | | | |
| | | | 634 | 300 | 33 | 28 | | | 160 | 130 | - | | | | 182 | 82 | | | | 42 | | | | | | | |
| | | | 635 | x | 48 | 38 | 23 | 24/25 | 190 | 150 | - | | | | x | x | | | | 53 | | | | | | | |
| | | | 636 | 200 | 48 | 88 | | | 200 | 150 | 140 | | | | 200 | 300 | | | | 58 | | | | | | | |
| | | | 637 | 300 | 38 | 33 | | | 170 | 140 | - | | | | 158 | 108 | | | | 61 | | | | | | | |
| | | | 638 | x | 48 | 38 | 28 | 30/32 | 190 | 150 | - | | | | x | x | | | | 70 | | | | | | | |
| | | | 639 | 250 | 48 | 48 | | | 200 | 150 | 140 | | | | 250 | 300 | | | | 76 | | | | | | | |
| | | | 640 | 300 | 38 | 33 | | | 170 | 140 | - | | | | 158 | 158 | | | | 73 | | | | | | | |
| | | | 641 | x | 48 | 38 | 28 | 30/32 | 190 | 150 | - | | | | x | X | | | | 83 | | | | | | | |
| | | | 642 | 300 | 48 | 48 | | | 200 | 150 | 140 | | | | 300 | 300 | | | | 90 | | | | | | | |
| | | | 643 | 350 | 33 | 28 | | | 160 | 130 | - | | | | 232 | 82 | | | | 48 | | | | | | | |
| | | | 644 | x | 43 | 38 | 23 | 24/25 | 190 | 150 | - | | | | x | X | | | | 62 | | | | | | | |
| | | | 645 | 200 | 48 | 48 | | | 200 | 150 | 140 | | | | 200 | 350 | | | | 67 | | | | | | | |
| | | | 646 | 350 | 38 | 33 | | | 170 | 140 | - | | | | 208 | 108 | | | | 71 | | | | | | | |
| | | | 647 | x | 48 | 38 | 28 | 30/32 | 190 | 150 | - | | | | x | X | | | | 81 | | | | | | | |
| | | | 648 | 250 | 48 | 48 | | | 200 | 150 | 140 | | | | 250 | 350 | | | | 88 | | | | | | | |
| | | | 649 | 350 | 38 | 33 | | | 170 | 140 | - | | | | 208 | 158 | | | | 85 | | | | | | | |
| | | | 650 | x | 48 | 38 | 28 | 30/32 | 190 | 150 | - | | | | x | x | | | | 97 | | | | | | | |
| | | | 651 | 300 | 48 | 48 | | | 200 | 150 | 140 | | | | 300 | 350 | | | | 105 | | | | | | | |
| | | | 652 | 350 | 38 | 33 | | | 170 | 140 | - | | | | 208 | 208 | | | | 98 | | | | | | | |
| | | | 653 | x | 48 | 38 | 28 | 30/32 | 190 | 150 | - | | | | x | x | | | | 113 | | | | | | | |
| | | | 654 | 350 | 48 | 48 | | | 200 | 150 | 140 | | | | 350 | 350 | | | | 123 | | | | | | | |
| | | | 655 | 400 | 33 | 28 | | | 160 | 130 | - | | | | 282 | 82 | | | | 55 | | | | | | | |
| | | | 656 | x | 48 | 38 | 23 | 24/25 | 190 | 150 | - | | | | x | X | | | | 70 | | | | | | | |
| | | | 657 | 200 | 48 | 48 | | | 200 | 150 | 140 | | | | 200 | 400 | | | | 77 | | | | | | | |
| | | | 658 | 400 | 38 | 33 | | | 170 | 140 | - | | | | 258 | 108 | | | | 81 | | | | | | | |
| | | | 659 | x | 48 | 38 | 28 | 30/32 | 190 | 150 | - | | | | x | X | | | | 92 | | | | | | | |
| | | | 660 | 250 | 48 | 48 | | | 200 | 150 | 140 | | | | 250 | 400 | | | | 101 | | | | | | | |

PORTAMATRICES 3 PLACAS 4 COLUMNAS - TIPO Q

| TIPOS DE CASQUILLO PARA ESTOS MONTAJES | | |
|---|--|--|
| | CASQUILLOS DE ACERO | |
| | C3 - WZ 4030 Pag. 3.2.2 C1 - WZ 4030 Pag. 3.2.2 | C3 - WZ 4030 Pag. 3.2.2 C1 - WZ 4039 Pag. 3.2.2 |
| | 61 | 62 |
| | CASQUILLOS DE BRONCE LAMINA | |
| | C3 - WZ 4031 Pag. 3.2.3 C1 - WZ 4031 Pag. 3.2.3 | C3 - WZ 4031 Pag. 3.2.3 C1 - WZ 4032 Pag. 3.2.3 |
| | 71 | 72 |
| | CASQUILLOS DE BRONCE METER | |
| | C3 - WZ 6031 Pag. 3.2.4 C1 - WZ 6031 Pag. 3.2.4 | C3 - WZ 6031 Pag. 3.2.4 C1 - WZ 6032 Pag. 3.2.4 |
| | 81 | 82 |

| MONTAJE | | | DIMENSIONES | | | | | | | | | SUPERFICIE ÚTIL | | | | | | PESO Kg. | | | |
|---------|----------|----------|-------------|--------------------|---------|----|----|----------|-------|-----|-----|-----------------|-------|-------|-------|-------|-------|----------|-------|-------|-------|
| PR | PR | PRS | CODIGO | PL. A x B | GRUESOS | | | COLUMNAS | | | PR | | | PRS | | PRS | | | | | |
| 61 | 61 62 | 61 62 | | | C1 | C2 | C3 | d1/d2 | L1 | L2 | L3 | a x B | b x A | c x A | a x B | b x A | c x A | | a x B | b x A | c x A |
| 71 | 71 72 | 71 72 | | | 61 | 62 | 71 | 72 | 81 | 82 | | | | | | | | | | | |
| 81 | 81 82 | 81 82 | | | | | | | | | | | | | | | | | | | |
| | | | 661 | 400 | 48 | 38 | | 33 | 40/42 | 200 | 160 | - | | | | 238 | 138 | | | | 118 |
| | | | 662 | x | 58 | 48 | | 33 | 40/42 | 220 | 170 | - | | | | x | x | | | | 137 |
| | | | 663 | 300 | 58 | 58 | | | | 230 | 170 | 160 | | | | 300 | 400 | | | | 147 |
| | | | 664 | 400 | 48 | 38 | | | | 200 | 160 | - | | | | 238 | 188 | | | | 137 |
| | | | 665 | x | 58 | 48 | | 33 | 40/42 | 220 | 170 | - | | | | x | x | | | | 159 |
| | | | 666 | 350 | 58 | 58 | | | | 230 | 170 | 160 | | | | 350 | 400 | | | | 170 |
| | | | 667 | 400 | 48 | 38 | | | | 200 | 160 | - | | | | 238 | 238 | | | | 156 |
| | | | 668 | x | 58 | 48 | | 33 | 40/42 | 220 | 170 | - | | | | x | x | | | | 181 |
| | | | 669 | 400 | 58 | 58 | | | | 230 | 170 | 160 | | | | 400 | 400 | | | | 194 |
| | | | 670 | 500 | 38 | 33 | | | | 170 | 140 | - | | | | 358 | 108 | | | | 100 |
| | | | 671 | x | 48 | 38 | | 28 | 30/32 | 190 | 150 | - | | | | x | x | | | | 115 |
| | | | 672 | 250 | 48 | 48 | | | | 200 | 150 | 140 | | | | 250 | 500 | | | | 125 |
| | | | 673 | 500 | 48 | 38 | | | | 200 | 160 | - | | | | 338 | 138 | | | | 146 |
| | | | 674 | x | 58 | 48 | | 33 | 40/42 | 220 | 170 | - | | | | X | x | | | | 170 |
| | | | 675 | 300 | 58 | 58 | | | | 230 | 170 | 160 | | | | 300 | 500 | | | | 182 |
| | | | 676 | 500 | 48 | 38 | | | | 200 | 160 | - | | | | 338 | 188 | | | | 170 |
| | | | 677 | x | 58 | 48 | | 33 | 40/42 | 220 | 170 | - | | | | X | x | | | | 197 |
| | | | 678 | 350 | 58 | 58 | | | | 230 | 170 | 160 | | | | 350 | 500 | | | | 211 |
| | | | 679 | 500 | 48 | 38 | | | | 200 | 160 | - | | | | 338 | 238 | | | | 193 |
| | | | 680 | x | 58 | 48 | | 33 | 40/42 | 220 | 170 | - | | | | X | x | | | | 225 |
| | | | 681 | 400 | 58 | 58 | | | | 230 | 170 | 160 | | | | 400 | 500 | | | | 240 |
| | | | 682 | 500 | 48 | 38 | | | | 200 | 160 | - | | | | 338 | 338 | | | | 240 |
| | | | 683 | x | 58 | 48 | | 33 | 40/42 | 220 | 170 | - | | | | x | x | | | | 279 |
| | | | 684 | 500 | 58 | 58 | | | | 230 | 170 | 160 | | | | 500 | 500 | | | | 299 |
| | | | 685 | 600 | 48 | 38 | | | | 200 | 160 | - | | | | 438 | 138 | | | | 174 |
| | | | 686 | x | 58 | 48 | | 33 | 40/42 | 220 | 170 | - | | | | x | x | | | | 203 |
| | | | 687 | 300 | 58 | 58 | | | | 230 | 170 | 160 | | | | 300 | 600 | | | | 217 |
| | | | 688 | 600 | 48 | 38 | | | | 200 | 160 | - | | | | 438 | 188 | | | | 202 |
| | | | 689 | x | 58 | 48 | | 33 | 40/42 | 220 | 170 | - | | | | x | x | | | | 235 |
| | | | 690 | 350 | 58 | 58 | | | | 230 | 170 | 160 | | | | 350 | 600 | | | | 252 |

PORTAMATRICES 3 PLACAS 4 COLUMNAS - TIPO Q



| MONTAJE | | | DIMENSIONES | | | | | | | | | SUPERFICIE ÚTIL | | | | | | PESO Kg. | | | | | | | | | |
|---------|----------|----------|-------------|-----|-------------|----|----|----------|-------|-----|----|-----------------|-------|-------|-------|-------|-------|----------|-------|-------|-------|-------|----|----|----|----|----|
| PR | PR | PRS | CODIGO | PL. | GRUESOS | | | COLUMNAS | | | PR | | | PRS | | | | | | | | | | | | | |
| 61 | 61 62 | 61 62 | | | A x B | C1 | C2 | C3 | d1/d2 | L1 | L2 | L3 | a x B | b x A | c x A | a x B | b x A | | c x A | a x B | b x A | c x A | | | | | |
| 71 | 71 72 | 71 72 | | | | | | | | | | | | | | | | | | | | | 61 | 62 | 71 | 72 | 81 |
| 81 | 81 82 | 81 82 | | | | | | | | | | | | | | | | | | | | | | | | | |
| | | | 691 | 600 | 48 | 38 | | 200 | 160 | - | | | | 438 | 238 | | | | | 230 | | | | | | | |
| | | | 692 | x | 58 | 48 | 33 | 40/42 | 220 | 170 | - | | | x | X | | | | | 268 | | | | | | | |
| | | | 693 | 400 | 58 | 58 | | 230 | 170 | 160 | | | | 400 | 600 | | | | | 287 | | | | | | | |
| | | | 694 | 600 | 58 | 48 | | 230 | 180 | - | | | | 406 | 306 | | | | | 348 | | | | | | | |
| | | | 695 | x | 68 | 58 | 38 | 50/52 | 250 | 200 | - | | | x | x | | | | | 395 | | | | | | | |
| | | | 696 | 500 | 68 | 68 | | 260 | 200 | 180 | | | | 500 | 600 | | | | | 419 | | | | | | | |
| | | | 697 | 600 | 58 | 48 | | 230 | 180 | - | | | | 406 | 406 | | | | | 416 | | | | | | | |
| | | | 698 | x | 68 | 58 | 38 | 50/52 | 250 | 200 | - | | | x | x | | | | | 473 | | | | | | | |
| | | | 699 | 600 | 68 | 68 | | 260 | 200 | 180 | | | | 600 | 600 | | | | | 501 | | | | | | | |
| | | | 700 | 700 | 48 | 38 | | 200 | 160 | - | | | | 538 | 188 | | | | | 235 | | | | | | | |
| | | | 701 | x | 58 | 48 | 33 | 40/42 | 220 | 170 | - | | | x | X | | | | | 274 | | | | | | | |
| | | | 702 | 350 | 58 | 58 | | 230 | 170 | 160 | | | | 350 | 700 | | | | | 293 | | | | | | | |
| | | | 703 | 700 | 58 | 48 | | 230 | 180 | - | | | | 506 | 206 | | | | | 326 | | | | | | | |
| | | | 704 | x | 68 | 58 | 38 | 50/52 | 250 | 200 | - | | | x | X | | | | | 370 | | | | | | | |
| | | | 705 | 400 | 68 | 68 | | 260 | 200 | 180 | | | | 400 | 700 | | | | | 392 | | | | | | | |
| | | | 706 | 700 | 58 | 48 | | 230 | 180 | - | | | | 506 | 306 | | | | | 405 | | | | | | | |
| | | | 707 | x | 68 | 58 | 38 | 50/52 | 250 | 200 | - | | | x | X | | | | | 460 | | | | | | | |
| | | | 708 | 500 | 68 | 68 | | 260 | 200 | 180 | | | | 500 | 700 | | | | | 487 | | | | | | | |
| | | | 709 | 700 | 58 | 48 | | 230 | 180 | - | | | | 506 | 406 | | | | | 484 | | | | | | | |
| | | | 710 | x | 68 | 58 | 38 | 50/52 | 250 | 200 | - | | | x | X | | | | | 550 | | | | | | | |
| | | | 711 | 600 | 68 | 68 | | 260 | 200 | 180 | | | | 600 | 700 | | | | | 583 | | | | | | | |
| | | | 712 | 800 | 58 | 48 | | 230 | 180 | - | | | | 606 | 206 | | | | | 371 | | | | | | | |
| | | | 713 | x | 68 | 58 | 38 | 50/52 | 250 | 200 | - | | | x | X | | | | | 421 | | | | | | | |
| | | | 714 | 400 | 68 | 68 | | 260 | 200 | 180 | | | | 400 | 800 | | | | | 447 | | | | | | | |
| | | | 715 | 800 | 58 | 48 | | 230 | 180 | - | | | | 606 | 306 | | | | | 461 | | | | | | | |
| | | | 716 | x | 68 | 58 | 38 | 50/52 | 250 | 200 | - | | | x | X | | | | | 524 | | | | | | | |
| | | | 717 | 500 | 68 | 68 | | 260 | 200 | 180 | | | | 500 | 800 | | | | | 556 | | | | | | | |
| | | | 718 | 800 | 58 | 48 | | 230 | 180 | - | | | | 606 | 406 | | | | | 552 | | | | | | | |
| | | | 719 | x | 68 | 58 | 38 | 50/52 | 250 | 200 | - | | | x | X | | | | | 627 | | | | | | | |
| | | | 720 | 600 | 68 | 68 | | 260 | 200 | 180 | | | | 600 | 800 | | | | | 665 | | | | | | | |

